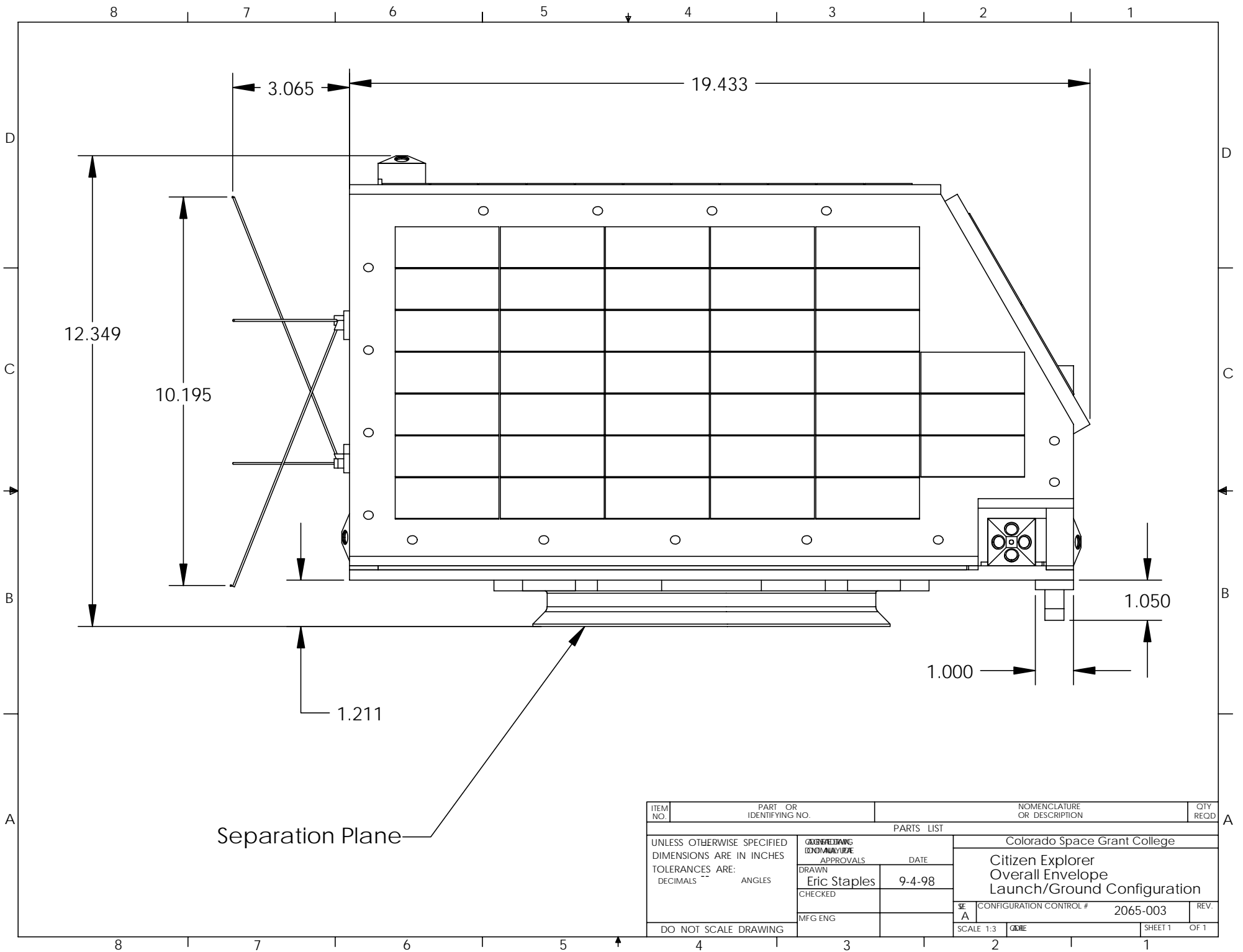
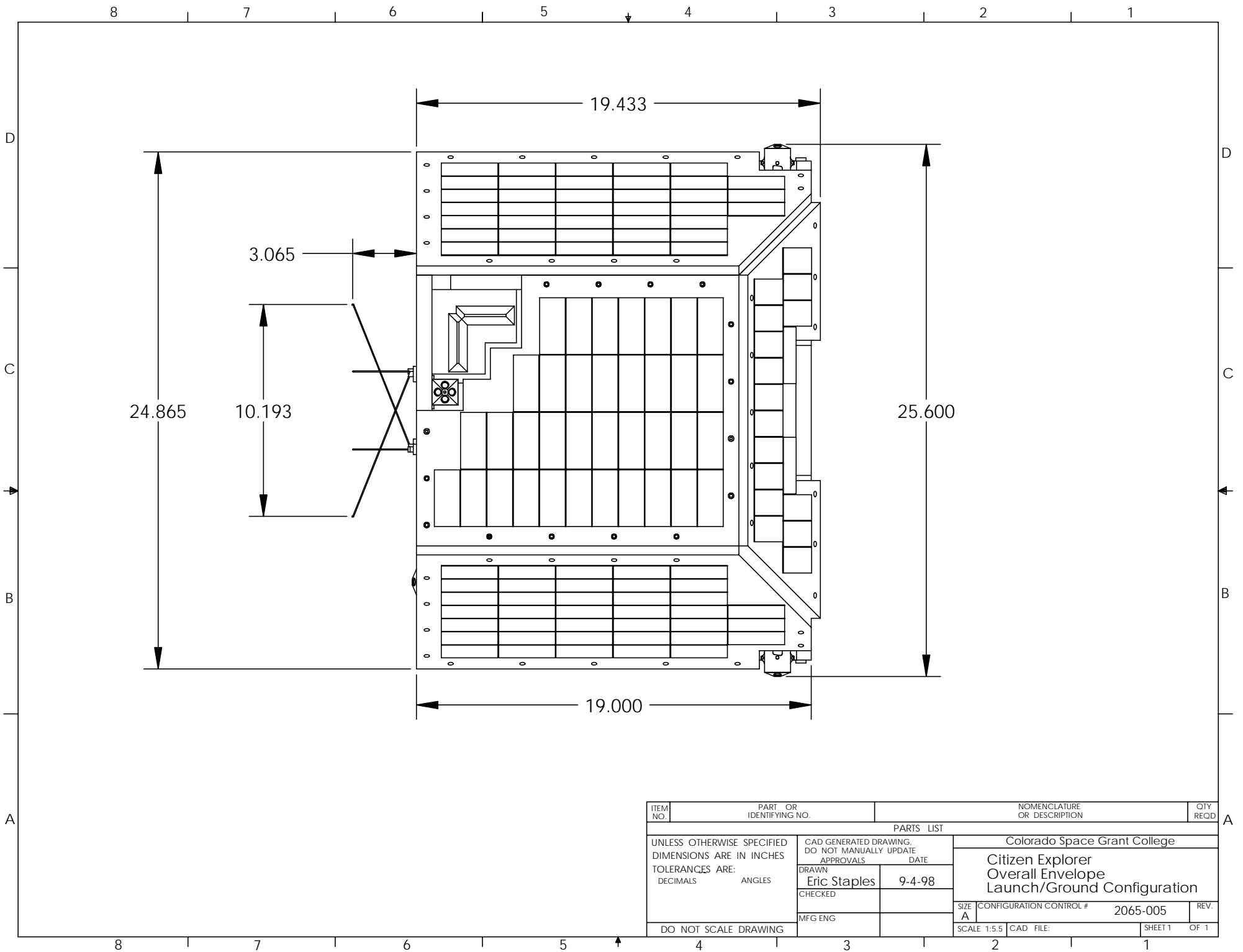


Citizen Explorer
Orbit Configuration

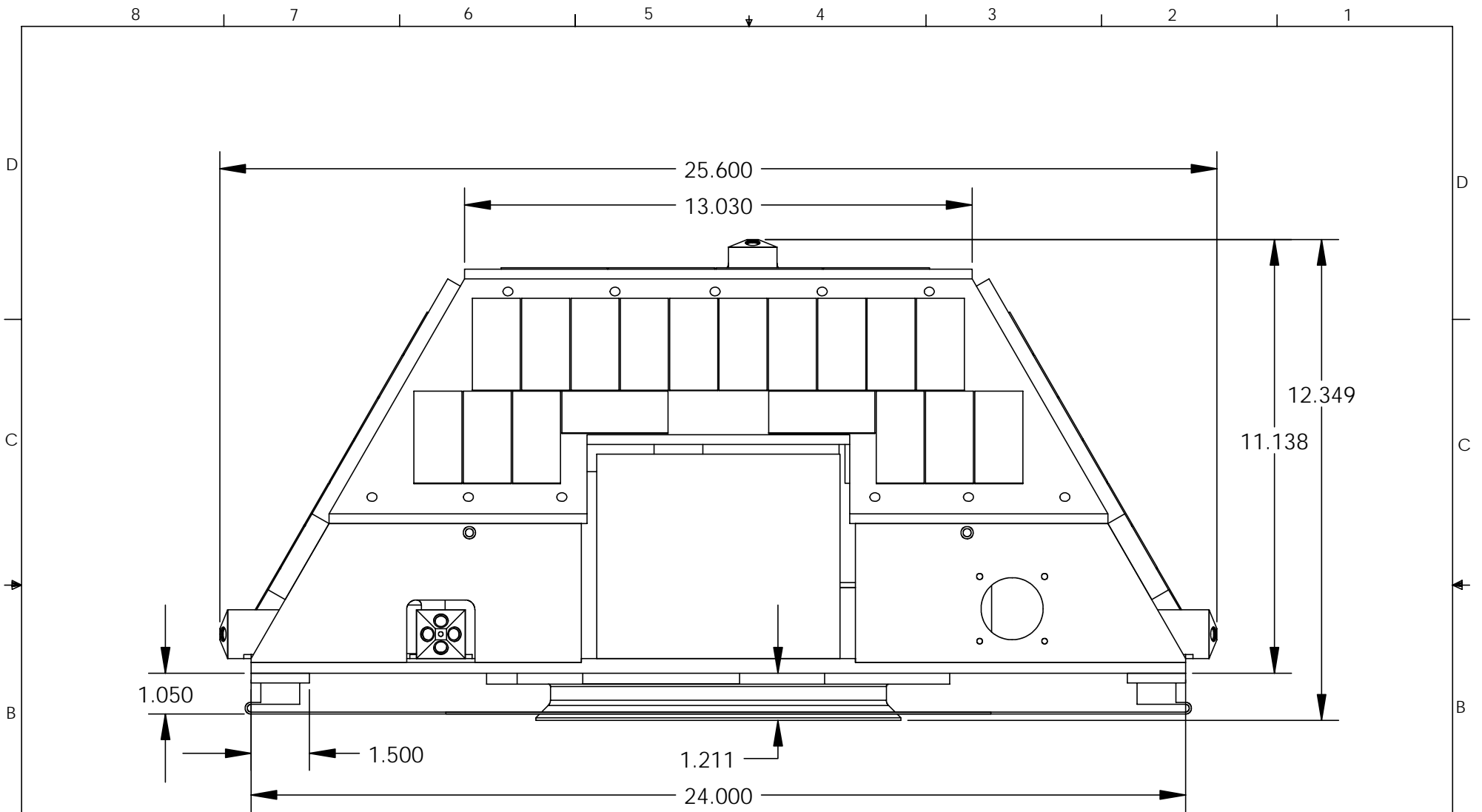


Separation Plane

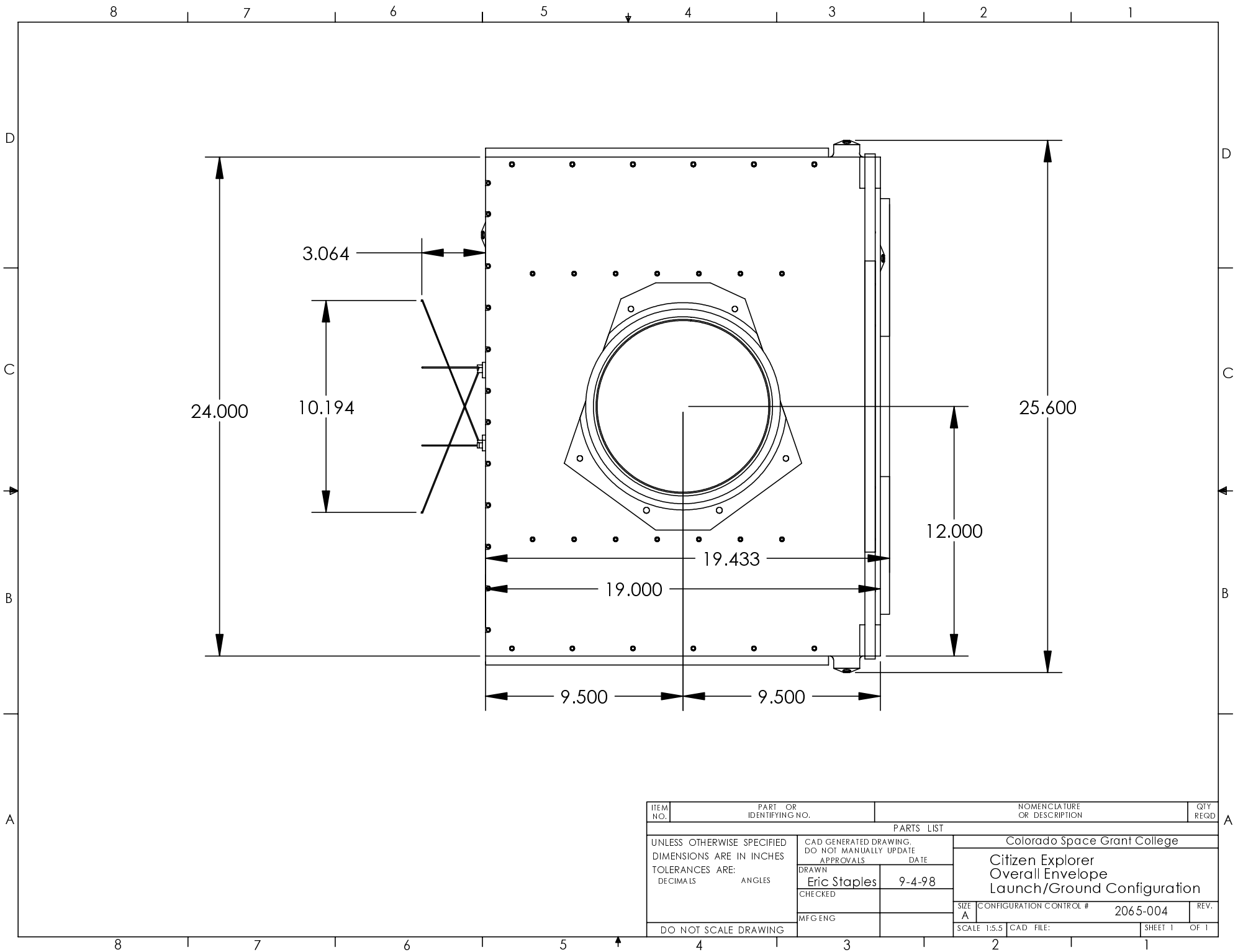
ITEM NO.	PART OR IDENTIFYING NO.	NOMENCLATURE OR DESCRIPTION	QTY RECD
PARTS LIST			
UNLESS OTHERWISE SPECIFIED DIMENSIONS ARE IN INCHES TOLERANCES ARE: DECIMALS --- ANGLES		Colorado Space Grant College	
DRAWN Eric Staples		DATE 9-4-98	Citizen Explorer Overall Envelope Launch/Ground Configuration
CHECKED			
MFG ENG		SCALE 1:3	REV.
DO NOT SCALE DRAWING		SCALE 1:3	CONFIGURATION CONTROL # 2065-003 SHEET 1 OF 1



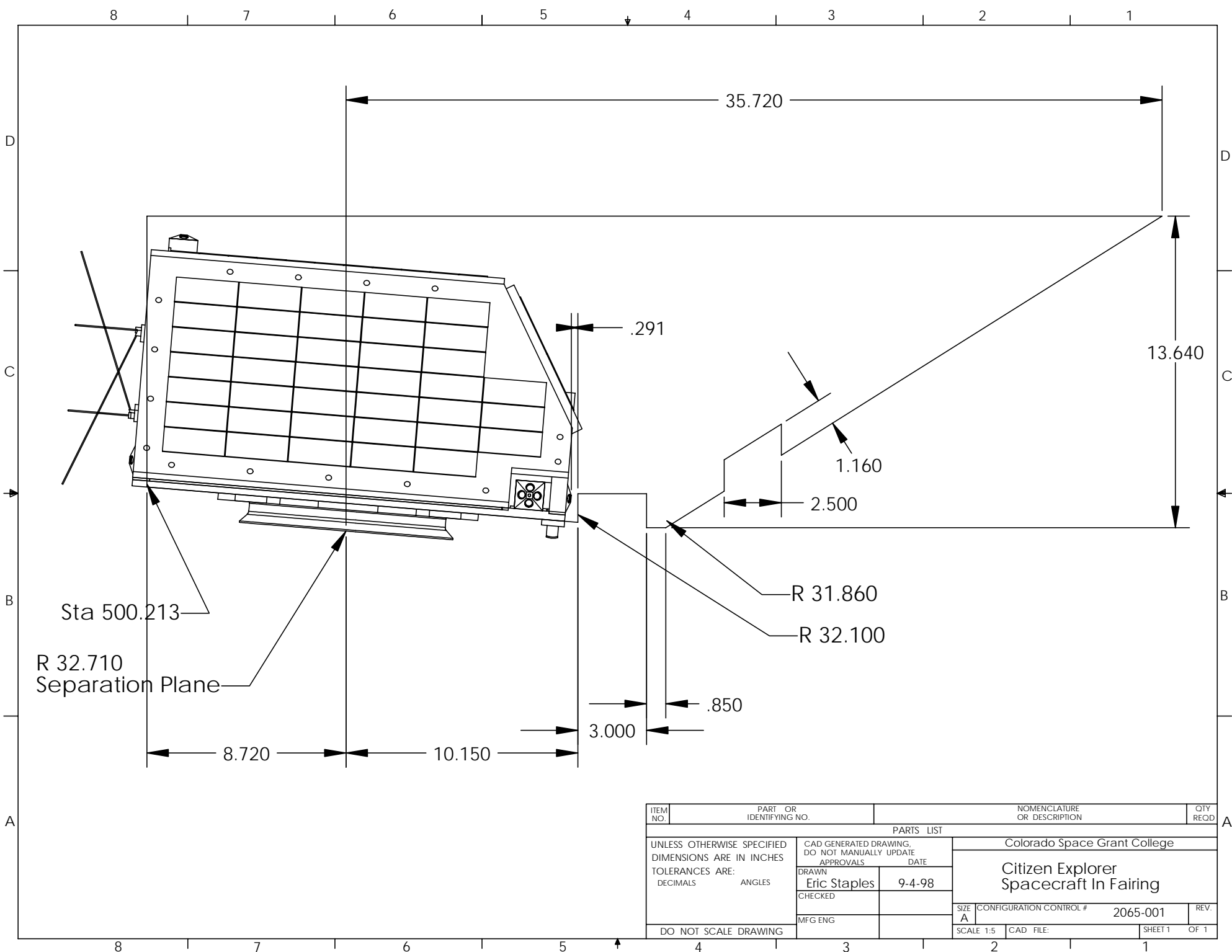
ITEM NO.	PART OR IDENTIFYING NO.	PARTS LIST		NOMENCLATURE OR DESCRIPTION	QTY RECD
UNLESS OTHERWISE SPECIFIED DIMENSIONS ARE IN INCHES TOLERANCES ARE: DECIMALS ANGLES		CAD GENERATED DRAWING, DO NOT MANUALLY UPDATE APPROVALS DATE		Colorado Space Grant College	
		DRAWN Eric Staples	9-4-98	Citizen Explorer Overall Envelope Launch/Ground Configuration	
		CHECKED		SIZE A	REV.
		MFG ENG		CONFIGURATION CONTROL # 2065-005	
DO NOT SCALE DRAWING		SCALE 1:5.5		CAD FILE:	SHEET 1 OF 1



ITEM NO.	PART OR IDENTIFYING NO.	NOMENCLATURE OR DESCRIPTION	QTY RECD
PARTS LIST			
UNLESS OTHERWISE SPECIFIED DIMENSIONS ARE IN INCHES TOLERANCES ARE: DECIMALS ANGLES		Colorado Space Grant College	
CAD GENERATED DRAWING, DO NOT MANUALLY UPDATE		Citizen Explorer Overall Envelope Launch/Ground Configuration	
APPROVALS		DATE	
DRAWN Eric Staples		9-4-98	
CHECKED			
MFG ENG			
DO NOT SCALE DRAWING		SIZE A	REV.
		CONFIGURATION CONTROL # 2065-006	
		SCALE 1:3.5	CAD FILE: SHEET 1 OF 1



ITEM NO.	PART OR IDENTIFYING NO.	NOMENCLATURE OR DESCRIPTION	QTY REQD
PARTS LIST			
UNLESS OTHERWISE SPECIFIED DIMENSIONS ARE IN INCHES TOLERANCES ARE: DECIMALS ANGLES		CAD GENERATED DRAWING. DO NOT MANUALLY UPDATE APPROVALS DATE DRAWN: Eric Staples 9-4-98 CHECKED: MFG ENG:	
DO NOT SCALE DRAWING		Colorado Space Grant College Citizen Explorer Overall Envelope Launch/Ground Configuration SIZE A CONFIGURATION CONTROL # 2065-004 REV.	
		SCALE 1:5.5	CAD FILE: SHEET 1 OF 1



ITEM NO.	PART OR IDENTIFYING NO.	NOMENCLATURE OR DESCRIPTION	QTY RECD
PARTS LIST			
UNLESS OTHERWISE SPECIFIED DIMENSIONS ARE IN INCHES TOLERANCES ARE: DECIMALS ANGLES		Colorado Space Grant College	
CAD GENERATED DRAWING, DO NOT MANUALLY UPDATE		Citizen Explorer Spacecraft In Fairing	
APPROVALS DATE			
DRAWN Eric Staples		9-4-98	
CHECKED			
MFG ENG			
DO NOT SCALE DRAWING		SCALE 1:5	CAD FILE: SHEET 1 OF 1
		SIZE A	CONFIGURATION CONTROL # 2065-001 REV.